

BALL VALVE WITH PNEUMATIC ACTUATOR

MAIN CHARACTERISTICS

The 762-763 valve is a split body flanged ball valve dedicated to the automatic shut off of lines of standard fluids. With full bore construction, the valve has also an anti-blow-out stem and an anti-static system. The stem tightness is done with a PTFE gland packing. Face to face dimension is according to DIN 3202 F4 short pattern.

The mounting kit between valve and actuator is in stainless steel and designed according EN 15081 standard. The ADA actuator is available in double acting and spring return version with numerous options.

AVAILABLES MODELS

MXT-2742420151 : 1.0619 carbon steel body

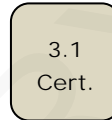
MXT-2743620150 : 1.4408 stainless steel body

Sizes DN 15 to DN 200

DN 15 to DN 50 : flanged connexion PN16/40 RF

DN 65 to DN 200 : flanged connexion PN16 RF

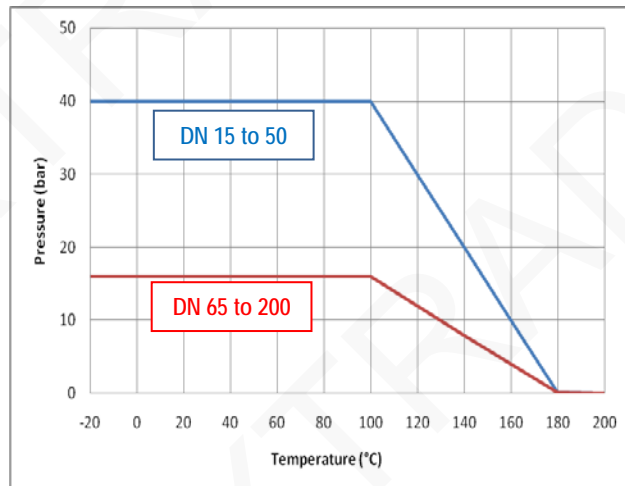
Single effect and spring return actuators



FIRE SAFE

LIMITS OF USE

Fluid's pressure : PS	DN 15 to 50 : 40 bar (20°C) DN 65 to 200 : 16 bar (20°C)
Fluid's temperature : TS	-20°C / +200°C
Ambient temperature	-20°C / +80°C
Explosive areas	areas 1, 2, 21 and 22
Compressed air feeding	mini 6 bar / maxi 10 bar

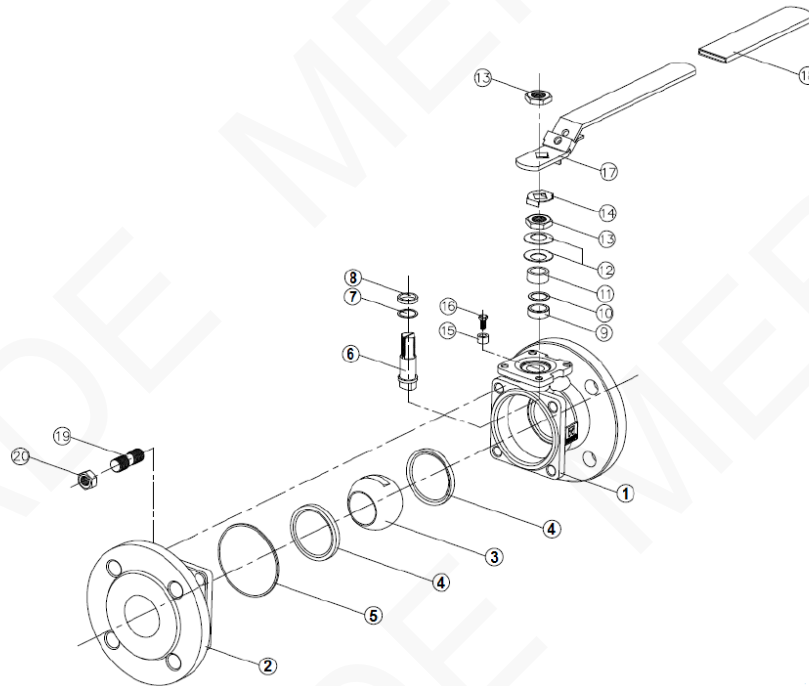


BALL VALVE WITH ADA PNEUMATIC ACTUATOR

RULES AND STANDARDS OF CONSTRUCTION

	Standard	Notified B.		Standard
Pressure Equipement 97/23	DN 15 to 25 : not involved		Final testing	EN 12266
	DN 32 to 200 : category II	0035	Material certificate	EN 10204
Body sizing	EN 12516-1		Material selection	EN 1503-1
Dimensions of flanges	EN 1092-1		Face to face dimension	EN 558-1 serial 27
Fire safe	API 607		Pilote connection	NAMUR
Motorization's flange	ISO 5211		Limit switch box connection	VDI/VDE 3845
ATEX directive	II 2G/D Tx areas 1,2,21 et 22		SIL 3 level (actuator only)	EN 61508
	EN 13463-1			

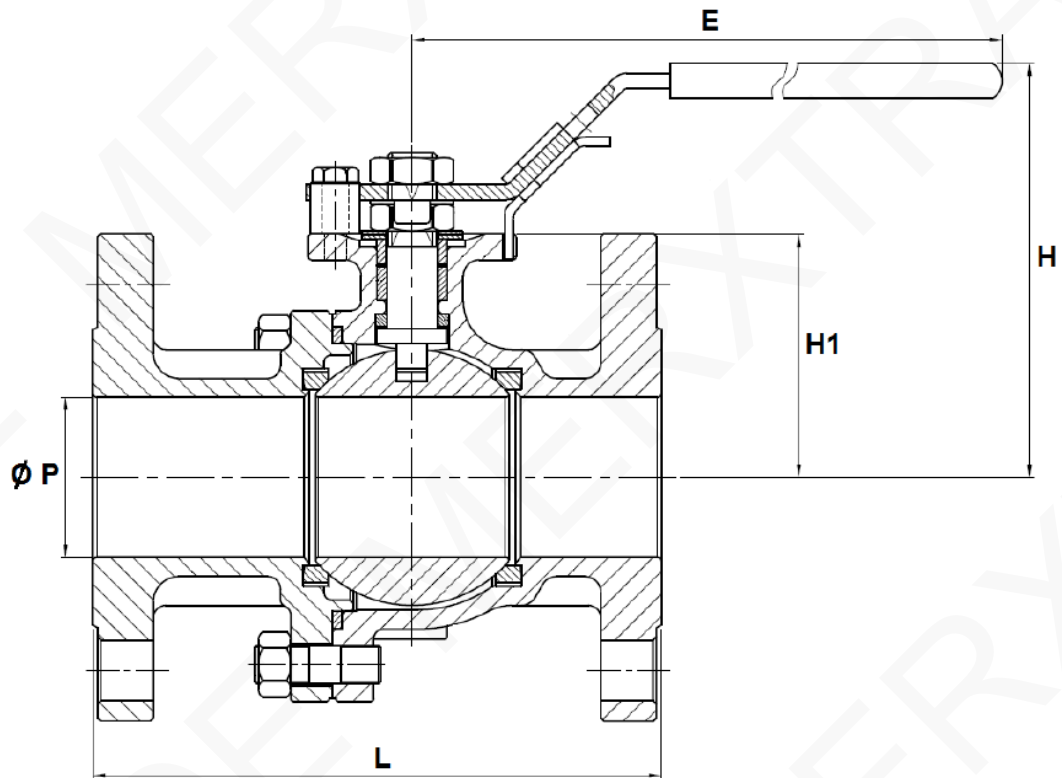
CONSTRUCTION



Item	Part	762 CS	763 SS	Item	Part	762 CS	763 SS
1	Body	Carbon steel 1.0619	Stainless steel 1.4408	12	Belleville washer	SS 301	
2	Cap	Carbon steel 1.0619	Stainless steel 1.4408	13	Stem nut	SS 304	
3	Ball	Stainless steel 1.4408		14	Lock washer	SS 304	
4	Seats (2)	PTFE + glass fiber		15	Stop pin	SS 304	
5	Body gasket	Graphite		16	Bolt	SS 304	
6	Stem	Stainless steel ASTM A276 316		17	Lever	SS 304	
7	Thrust washer	PTFE + graphite		18	Lever's sleeve	PVC	
8	Thrust washer	PTFE + graphite		19	Stud	SS 304	
9	Gland packing	Graphite		20	Nut	SS 304	
10	Gland packing	PTFE + graphite					

BALL VALVE WITH ADA PNEUMATIC ACTUATOR

DIMENSIONS (mm)



Size	15	20	25	32	40	50	65	80	100	125	150	200
Ø P	15	20	24	30	38	50	64	76	98	125	150	200
L	115	120	125	130	140	150	170	180	190	325	350	400
E	158	158	196	196	245	261	400	400	400	743	743	925
H	76.5	78.1	92	96	109.1	115.6	188	194	215	239.6	256.5	323.5
H1	39	42.5	52	56	66	73	86.5	91.5	113.5	147	170	201
W (kg)	2,3	3	4	5,5	7	9,3	14.4	17.5	23.3	36.7	52	78